

# S-POWER



## All in ONE

## MPPT



### ALFA ON-LINE SOLAR PCU Self Configurable



- DSP based design Pure Sine Wave, Built in MPPT charge controller.
- Maximum preference to Solar Power.
- USB / Ethernet based monitoring with 30 days data storage, DC and AC energy meter.
- Tested as per IEC 61683 and IEC 60068-2-(1,2,14,30) standards.
- Robust design-20 yrs product life, 1-5 yrs of warranty.

- Available from 3.5 KVA to 15KVA.
- AC and DC Parameter configurable from LCD.  
AC - Output Voltage/Input Voltage  
DC - Battery Voltage/Charging Voltage  
Battery Charging Current, Battery Low Cut/High Cut
- NLSD & Grid Charging - Enable/Disable by LCD.

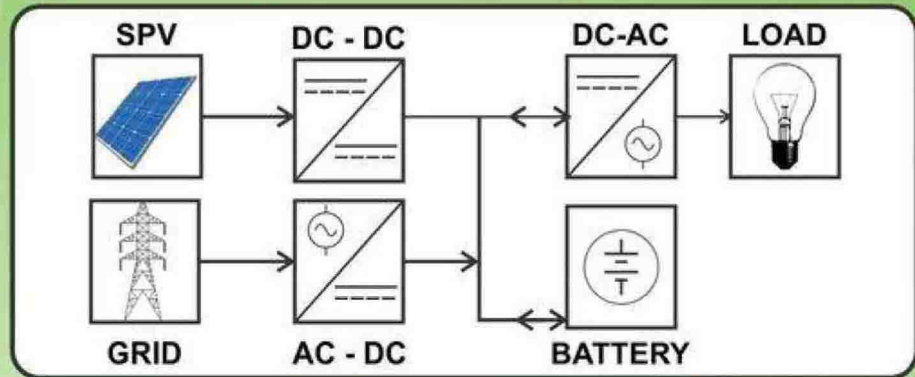
### Sole Distributor:

S-POWER B.P.E.  
KALANKI, KATHMANDU  
PH. NO. : 01-4280009, 4301451/52  
EMAIL : spowerups@gmail.com  
WEB : www.spowerbpe.com





# ONLINE PCU 3.5KVA TO 15 KVA



## TECHNICAL SPECIFICATIONS

Parameters	Units	Rating						
		3.5/5	6	7.5	10	15 (3ø)		
System Rating	KVA	3.5/5	6	7.5	10	15 (3ø)		
Operating DC voltage	V	96	96/120	120	180	240		
<b>Photovoltaic Input</b>								
Input voltage range (Min.-Max)	VDC	144-360	144-450,180-450	180-450	324-450	432-600		
Maximum PV power recommended	KW	5.0	6.0	7.5	10	15		
Number of charge controller				1		1		
<b>MPPT based charge controller</b>								
Switching element				IGBT				
controller				DSP				
type of charger				PWM with MPPT				
Efficiency				90				
<b>Configurable Parameter</b>								
				Default Value				
Battery Low Buzzer	V		10.4 - 11.85	11.2				
Battery Low Cut	V		10 - 11.7	11.0				
Battery High Cut	V		15 - 16	15.5				
Battery Charging Voltage by SPV	V		13.5 - 15	14.5				
Battery Charging Current by SPV	A		12 - 25	18				
Battery Charging Voltage by Grid	V		13.0 - 14.5	13.5				
Battery Charging Current by Grid	A		3 - 12	10				
Grid Low Cut Voltage	V		155 - 200	175				
Grid High Cut Voltage	V		245 - 280	275				
Output Voltage Low	V		170 - 190	185				
Output Voltage High	V		250 - 260	260				
<b>Battery</b>								
Temp. compensation				@ 3mV/cell, 18mV/battery				
<b>Inverter</b>								
Switching element			MOSFET	IGBT				
control				PWM				
Nominal output voltage	VAC			220	380/400/415 (adjustable)			
Output supply phase				1 phase, 3 wire	3 phase, 5 wire			
Output waveform				sinewave				
Nominal frequency	Hz			50.0				
Load power factor				0.8 lag				
Voltage regulation	%			1.00				
Output voltage distortion with 100% linear load	%			<3				
Overload Capacity				100 to 110% : 5 min. 110 to 120% : 2 min. 120 to 150% : 30 sec.	150 to 200% : 15 sec. 200 to 300% : 50 mS >300% : 20 mS			
Peak efficiency	%			90				
Noise @ 1 meter	dB			60				
cooling				Temp Controlled, fan				
Protections				Overload, Battery low, Battery high, Output low, Output high, Output Short Ckt Input Short Ckt, Overheat, under frequency, over frequency, Solar panel reverse, Battery Reverse,				
Display parameters				Battery voltage, charging current, discharging current, charging AH, discharging AH, battery status bargraph Solar voltage, solar current, instantaneous power, cumulative power grid voltage, grid current, cumulative power, Instantaneous Power Output voltage, output current, instantaneous power, cumulative power Reset for system on/off, up, down, back, enter (for LCD configuration)				
Switches				system on, inv on, SPV charging, Grid charging, batt low/high, overload, overheat, mains low, mains high, under frequency, over frequency,				
<b>Environment</b>								
operating temperature	C			-10 to + 55°C				
Max relative humidity @25°C (non condensing)	%			95				
Standard compliance				IP21				
Data logging				30 days data storage				
Dimension (LXWXH)	Inch			23 X 13 X 26	26 X 13 X 26	28X13X26		
Weight	Kg.			55	65	78	90	115